

ECO-WATER

Compact Potable Water Treatment Plant



PRODUCT INFORMATION

ECOWATER COMPACT WATER TREATMENT Systems offer complete skid mounted or containerized solutions for the production of drinking or process water. Typical systems include coagulation and flocculation lamella plates settling, sand and activated carbon filtration, polishing 5 or 10 micro cartridge filters, followed by chlorination or UV. Treated water quality meets WHO (World Health Organization) standards.

ECOWATER COMPACT WATER TREATMENT System drinking water production meets WHO (World Health Organization) standards.

Totally automated plant operation is achieved with state-of-the-art control systems designed for outdoor installations. Standard systems available to supply drinking water for populations from 100 to 25,000 people. Let our technical experts custom design a system for larger flow rates or unique applications.



DIMENSIONS

Package units are design and size to comply with international standards applicable to overland or maritime container transportation (20 or 40 feet)

QUALITY

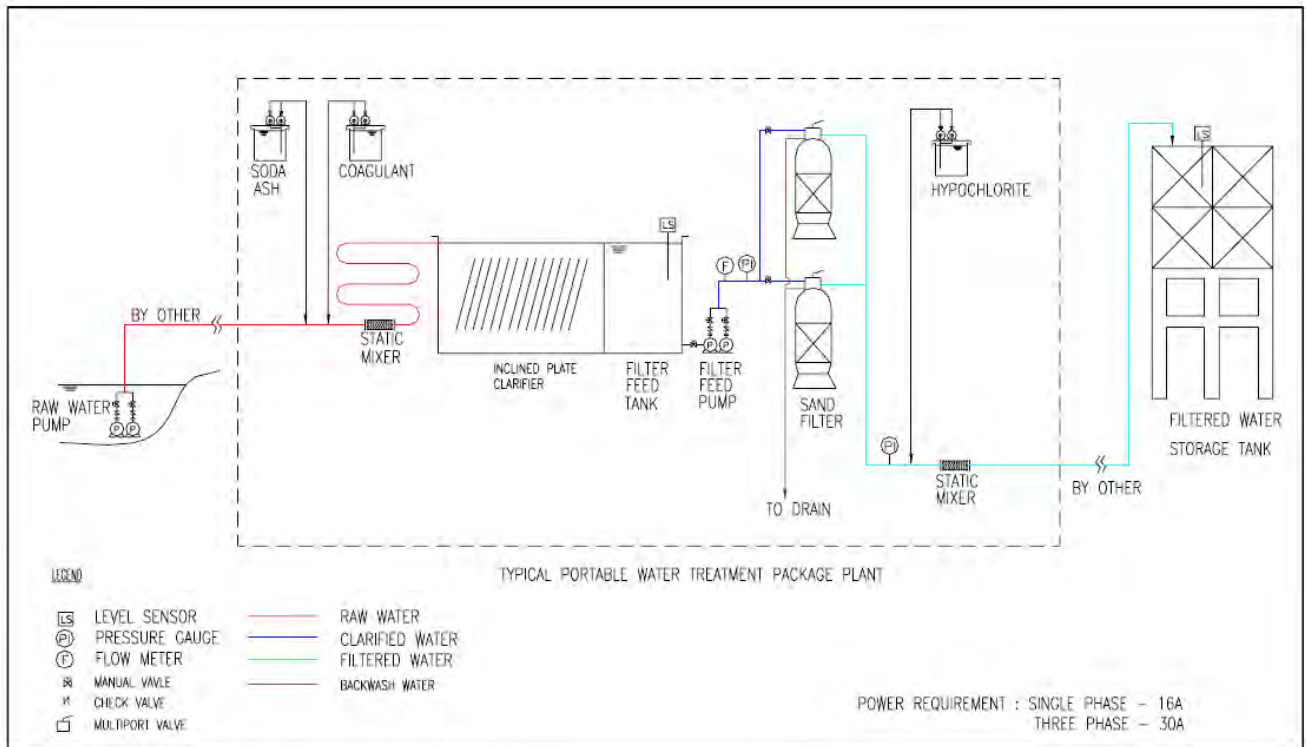
ECOWATER is manufactured and assembled locally based on the use of the most severe procedures along with top grade equipment and materials from design to start up



INSTALLATIONS

Easy and economical, civil work are confine to a concrete slab and drainage connection Plant can be quickly install, utilities and hydraulic connections are completed on time

TYPICAL FLOW SCHEMATIC

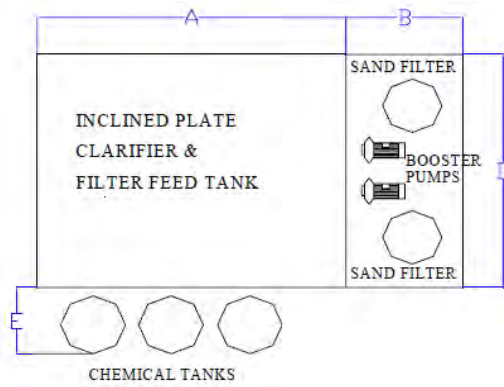


MAJOR PROCESS ADVANTAGES

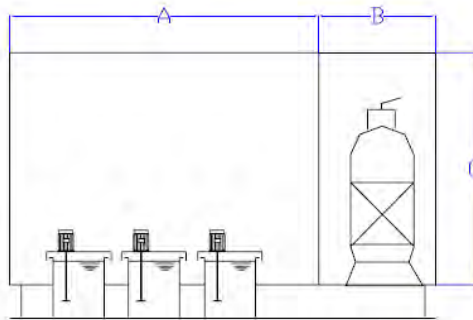
- ✓ High treatment efficiency ; removal rate of turbidity > 95%
- ✓ Suited for restricted spaces and easy retrofit of existing plants
- ✓ Reduced civil engineering
- ✓ Flexible: reacts quickly to changing raw water quality; provides consistently
- ✓ high quality effluent
- ✓ Very short start-up time < 10 minutes
- ✓ The sludge produced can be thickened and dewatered easily
- ✓ Can be entirely automated and remotely controlled
- ✓ Minimum equipment to maintain, equipment lifespan easily excess of 25 years
- ✓ Prefabricated package plants (50 to 500 m³/d per unit) which can be combined for larger flow rates.
- ✓ Suitable for advance tertiary water purification process plug in .

Typical Small Plant selection Guide

MODEL	PLANT SELECTION GUIDE				DIMENSION				
	Operating Hour	24 hrs	16 hrs	12 hrs	A	B	C	D	E
	m3/day	Population Served			(mm)	(mm)	(mm)	(mm)	(mm)
Eco - 50	50	440	330	220	1,600	800	1,200	1,200	600
Eco - 100	100	660	500	330	2,200	800	1,400	1,200	600
Eco - 200	200	880	660	440	2,900	1,000	1,600	1,400	700
Eco - 250	250	1100	830	550	3,400	1,000	1,600	1,400	700
Eco - 300	300	1320	990	660	3,400	1,200	2,000	1,800	700
Eco - 400	400	1760	1320	880	4,000	1,200	2,000	1,800	800
Eco - 500	500	2200	1650	1100	4,600	1,200	2,000	1,800	800



Standard Material Data	
Description	Material
Lamella Tank	Stainless Steel 304
Pressure Sand Filter	FRP
Chemical Dosing Tank	HDPE
Pipe and Fitting	PVC
Mixing	Stainless Steel 304 / PVC
Pump (Treated Water)	Cast Iron
Pump (Raw Water)	Optional Item
Base support	Mile Steel with epoxy paint



Power Requirement	Rating
Eco - 50 to 200	3.5kw
Eco - 250 to 300	4.0kw
Eco - 400 to 500	5.kw



More information at www.envirozonesb.com

Enquiries at info@envirozonesb.com